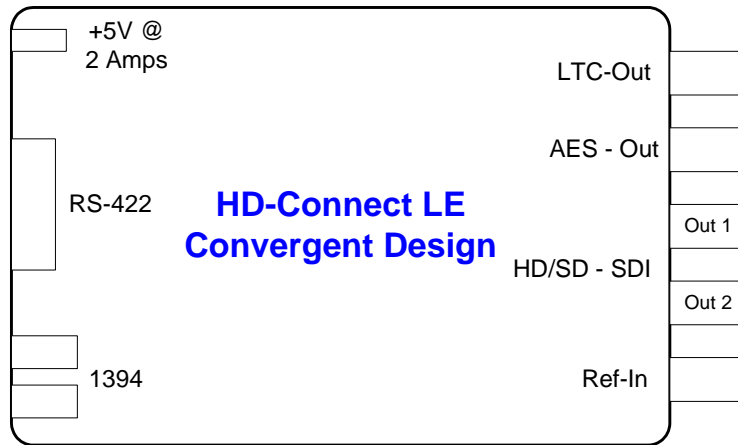
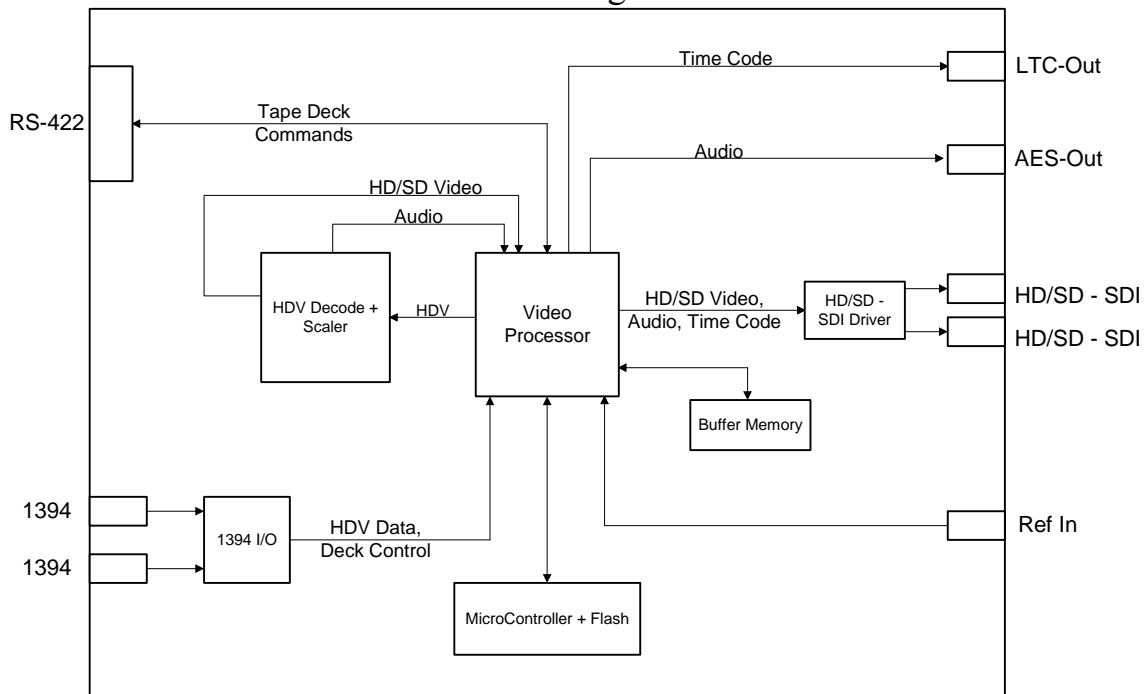


HD-Connect LE



Block Diagram



Features

- HDV (over 1394) → HD/SD-SDI (with embedded audio and time code)
- 720p / 1080i, 50Hz / 59.94Hz compatible
- Transmission of MPEG2 Stream over DVB-ASI
- HDV Deck Control via RS-422 → 1394 translation
- SD or HD Reference Input
- Gamma Correction
- Size = 7.5" (L) x 4.25" (W) x 1.0" (H)
- MSRP = \$1995, 3 year warranty

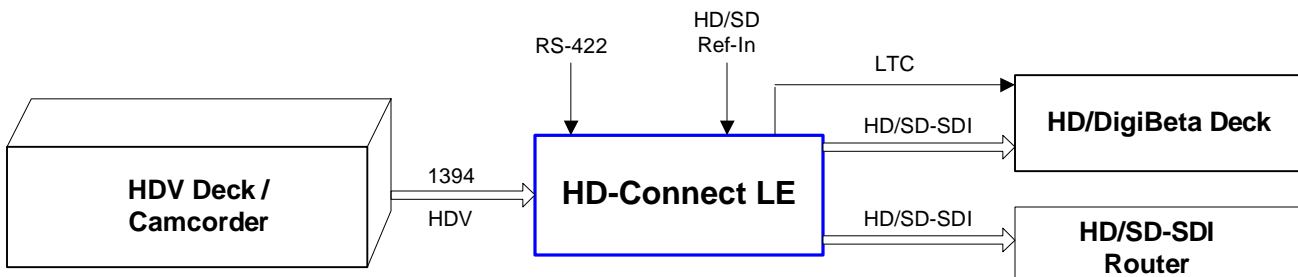


HD-Connect LE Applications

HDV → HD/SD-SDI Based Editing



HDV → HD/SD-SDI Based Deck, Router



Native HDV Editor → HD-Cam / DigiBeta Deck

